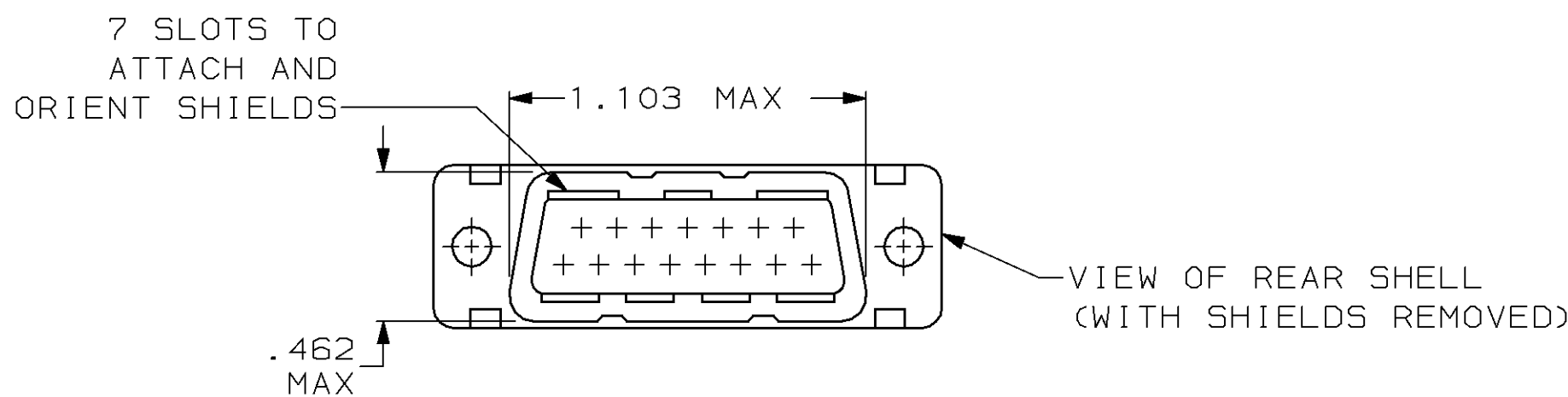
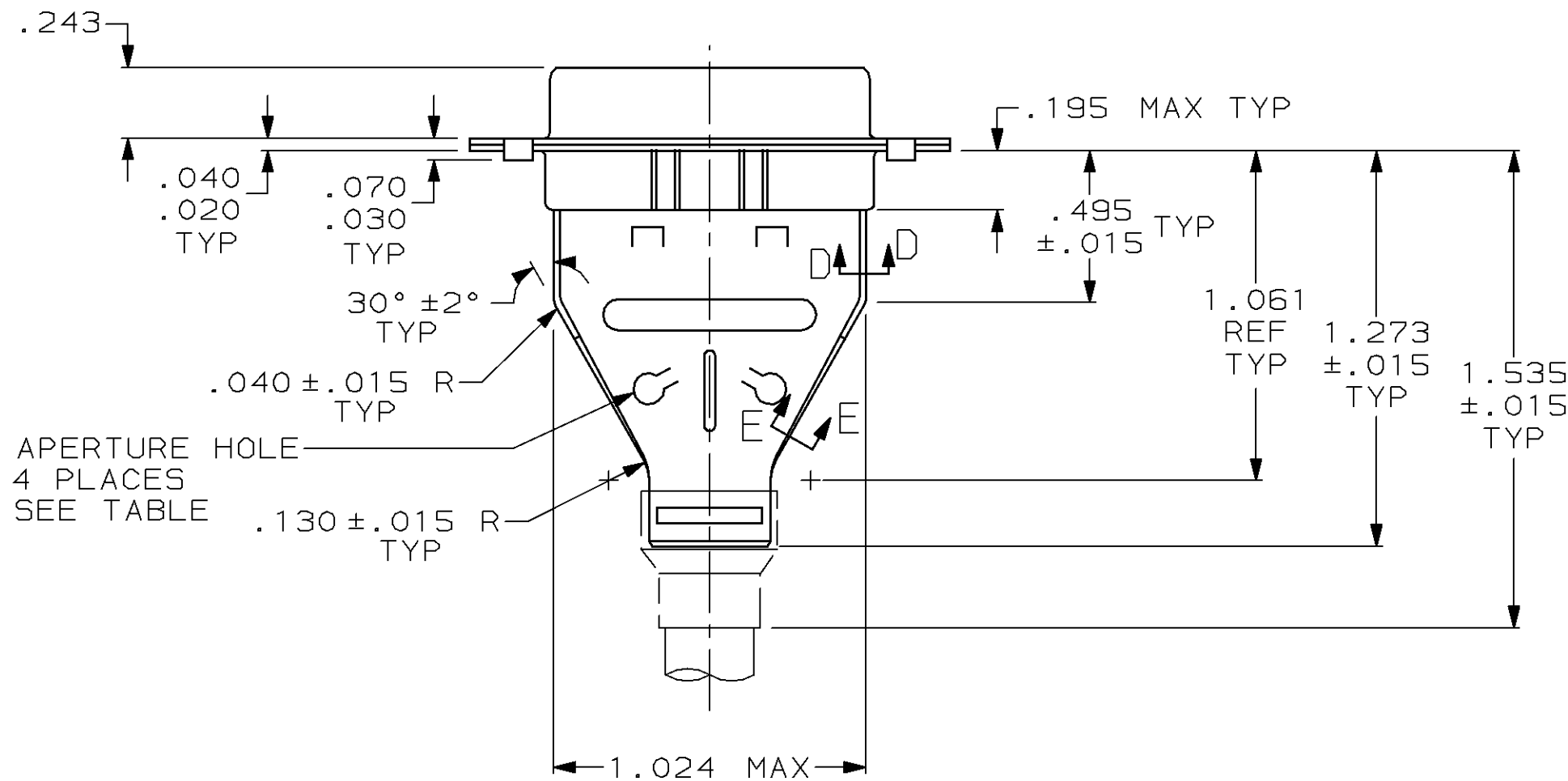
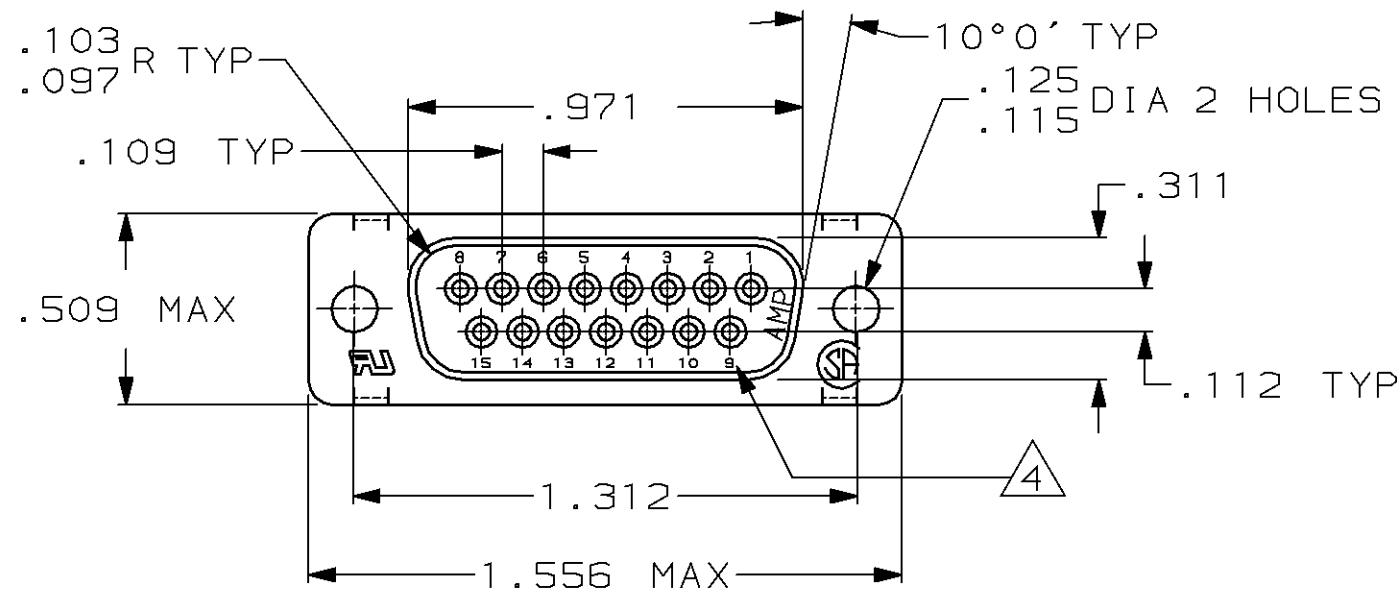
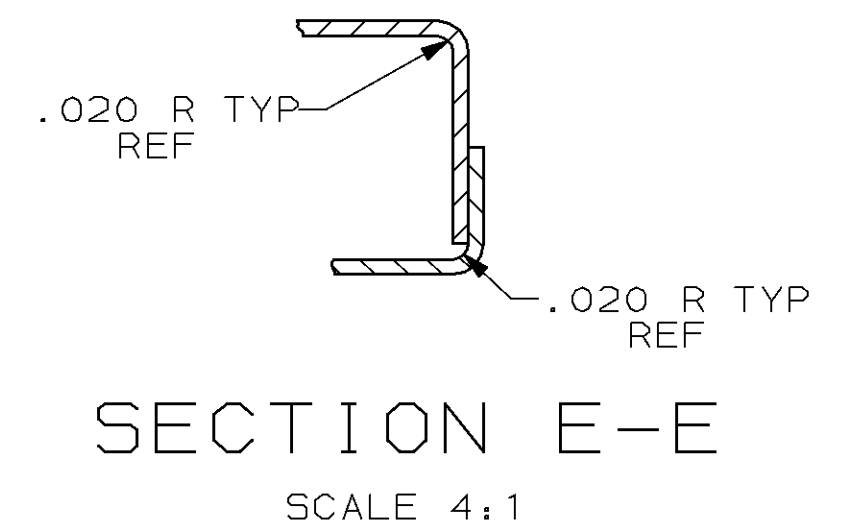
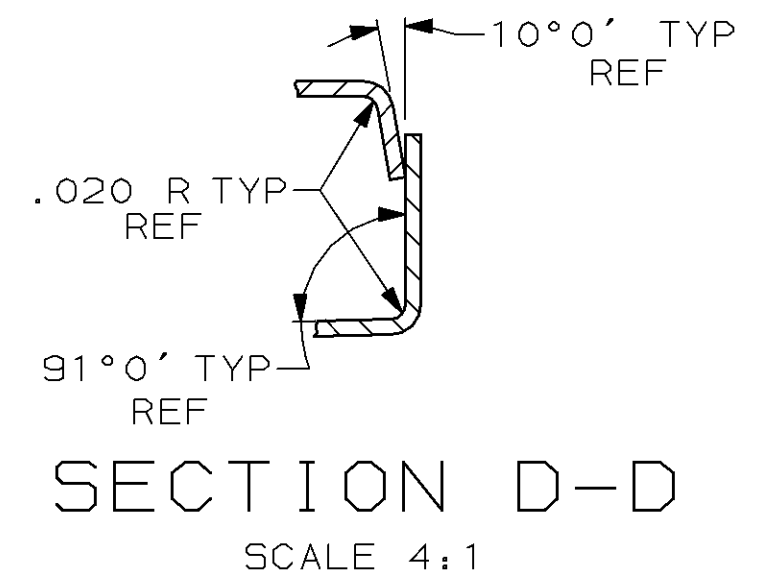
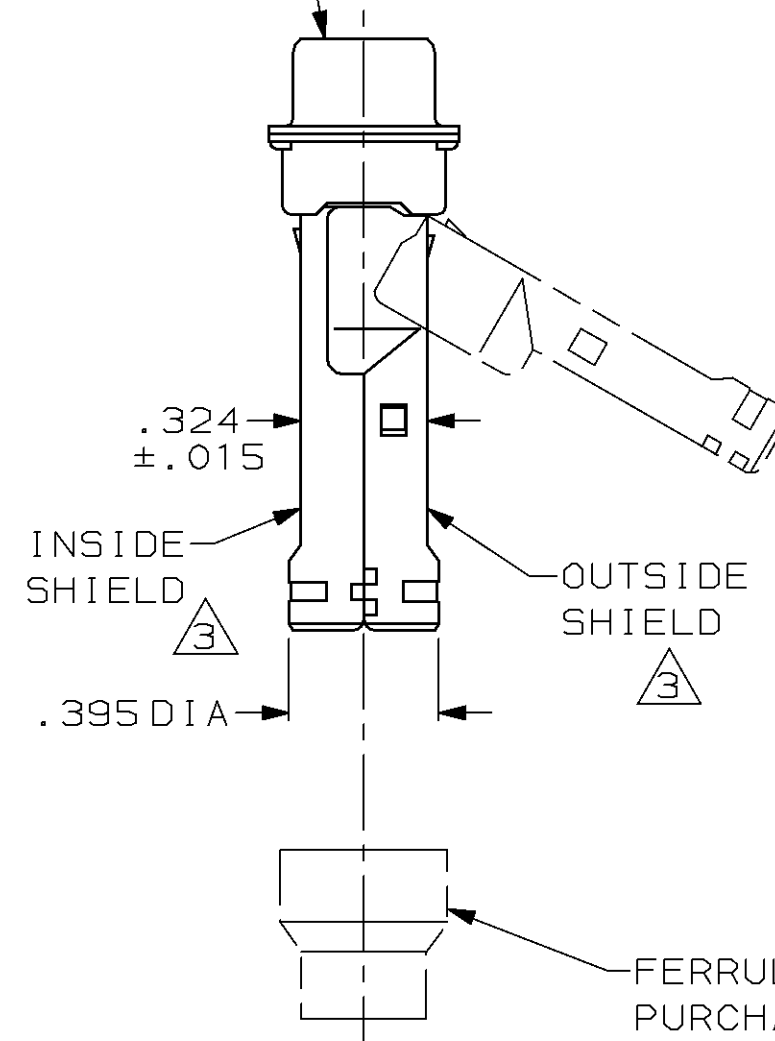


THIS DRAWING IS UNPUBLISHED. RELEASED FOR PUBLICATION
 © COPYRIGHT 19 BY AMP INCORPORATED. ALL INTERNATIONAL RIGHTS RESERVED.

LOC	DIST	P	F	REVISIONS				
				ZONE	LTR	DESCRIPTION	DATE	APPD
BD	48			A		REDRAWN	5-29-90	-
				B		REV PER ECN BD5049	7-2-91	TMS
				C		ADDED-2 NPR3889 WAS 91-5788-4-1	01/02/92	TMS
				D		OBS -2 PER ECN BD5856	01/17/92	TMS
				E		REACTIVATED -2 PER NPR 3975	02/14/92	TMS
				F		OBS -2 PER EC 0020-724-95	11 MAR 96	JCS



RCPT CONNECTOR
 INSERT: BLACK GLASS-FILLED NYLON, 94V-0 RATED.
 SHELL: STEEL PER ASTM A109, BRIGHT TIN PLATED PER MIL-T-10727.



- 1 RCPT ACCEPTS SIZE 20 PIN CONTACTS (CONTACTS MUST BE ORDERED SEPARATELY).
- 2. ALL PARTS SHIPPED UNASSEMBLED, EACH PART INDIVIDUALLY BULK PACKED.
- 3 SHIELDS: MATERIAL-.020 THICK STEEL, TIN PLATED PER MIL-T-10727.
- 4 RAISED CAVITY IDENTIFICATION AND AMP TRADEMARK.

OBSOLETE	WITHOUT	747539-2
	WITH	747539-1
	APERTURE HOLE	PART NUMBER

DO NOT SCALE PRINT. UNLESS SPECIFIED DIMENSIONS IN INCHES TOLERANCES ON :	DR 5/29/90 A. STAUB BG	AMP INCORPORATED Harrisburg, Pa. 17105	
2 PLC DEC ± -	CHK J. McCLINTON 8-31-90		
3 PLC DEC ± .005	APPD B. TAYLOR 9-4-90	NAME	
ANGLES ± 0°30'	APPD J. ASSINI 9-4-90	KIT, RCPT, SHIELDING HARDWARE, SIZE 2, 15 POSN, HDP-20, AMPLIMITE™	
MATERIAL	PRODUCT SPEC	DRAWING NO	
SEE CALL OUT (3)	-	SIZE	747539
FINISH	APPLICATION SPEC	FSCM NO	00779
SEE CALL OUT (3)	-	DRAWING NO	747539
	WEIGHT -	SCALE	2:1
		SHEET	1 OF 1